

Age Range: 1-3 years  
 Weight Limit: 40 lbs.  
 Surfaces: Grass/Asphalt/Hard Surfaces  
 Speed: 2 mph  
 Colors: Dark Pink Body/Green Seat/  
 Purple Wheels  
 Intro: 2008  
 Suggested Retail: \$71.41  
 Box Dimensions: 26.250 x 13 x 16.375  
 17 lbs  
 Warranty: One Year Vehicle  
 6 Months Battery

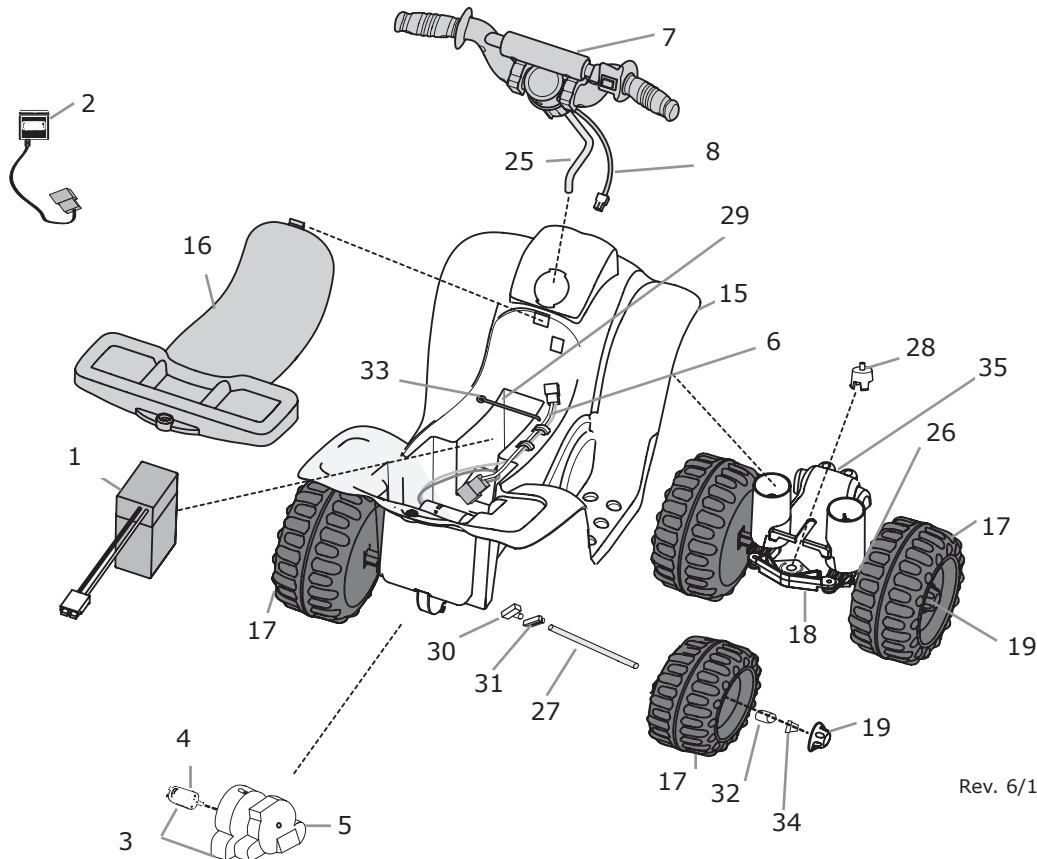


# N8379

## Lil Quad Pink (Target Exclusive)

### PW Toddler Series

### 6V 4 Amp



Rev. 6/18/08

Item No.	Description	Part No.	Qty	Item No.	Description	Part No.	Qty
<b>Working / Electrical Parts</b>				<b>Hardware / Metal Parts</b>			
1.	6V 4Amp Battery	00801-1457	1	25.	Steering Column	J8473-4539A	1
2.	6V 4Amp Charger	00801-1483	1	26.	Front Axle	77760-4519	2
<b>3.</b>	<b>Motor Gearbox Assy</b>	<b>00968-3900</b>	<b>1</b>	27.	Rear Axle	77760-4529	1
<b>4.</b>	<b>Motor Assy</b>	<b>00968-3700</b>	<b>1</b>	28.	Steering Column Retainer	J8473-2359	1
<b>5.</b>	<b>Gearbox Assy #10</b>	<b>00968-3800</b>	<b>1</b>	29.	Battery Retainer	74230-4129	1
<b>6.</b>	<b>Main Wiring Harness</b>	<b>3800-7785</b>	<b>1</b>	30.	Rectangular Bushing	74504-2549	2
7.	Handlebar Assembly w/harness	N8379-9209	1	31.	Wheel Bushing	78560-2659	2
	(Includes handlebar harness/switch & steering column)			32.	Bushing	N8379-2129	4
8.	Handlebar Harness w/switch	3800-8755	1	33.	8 x 7/8 Trusshead Screw	0801-0228	2
				34.	.354 Cap Nut	0801-0548	8
				35.	Brushguard	N8379-2139	1
<b>Plastic/Other Parts</b>				<b>Parts Not Shown</b>			
15.	Vehicle w/Seat	N/A	1	Owner's Manual	N8379-0920	1	
16.	Seat w/Lock	N8379-6149	1	Label Sheet	N8379-0310	1	
17.	Wheel	J7825-2119	4	Parts Bag	3800-8226	1	
18.	Front Wheel Assembly	N8379-9139	1	5/16 Washer	0801-0253	2	
19.	Hubcap Center	N8379-2349	4	<b>PIC Switch Pushbutton</b>	<b>00801-0697</b>	<b>1</b>	
				Wrench	00801-1567	1	
				J-Lock Fastener - Black	74517-2439	1	

N/A = Not Available

**Bold and Underlined parts are to be purchased and installed by Service Centers only. These items may not be sold directly to consumers by Service Centers or Fisher-Price.**